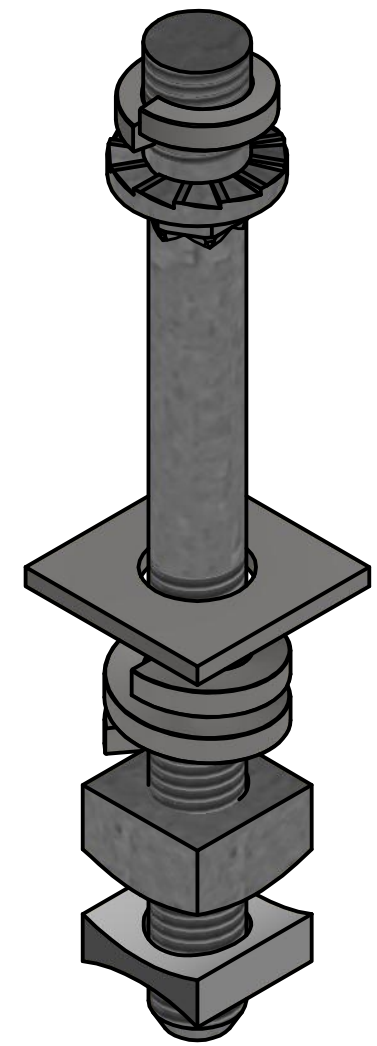



- NOTES -
1. MATERIAL: TT - 160 STEEL
  2. FINISH: HOT DIP GALVANIZED PER ASTM A153 (LATEST REV).

CATALOG NUMBER	"A"	"B"	"C"
DF19M27	7	8-1/8	4
DF19M29	14	15-1/8	8
DF19M32	24	25-1/8	4
PSC2061032	16	17-1/8	4



<b>CHANCE</b> <sup>®</sup> <small>CONFIDENTIAL: THIS DRAWING AND ITS CONTENTS ARE CONFIDENTIAL AND THE EXCLUSIVE PROPERTY OF HUBBELL POWER SYSTEMS. NO PUBLICATION, DISTRIBUTION, OR COPIES MAY BE MADE WITHOUT THE WRITTEN CONSENT OF HUBBELL POWER SYSTEMS. HUBBELL POWER SYSTEMS UNPUBLISHED ALL RIGHTS RESERVED UNDER THE COPYRIGHT LAWS.</small>	 <b>HUBBELL POWER SYSTEMS, INC.</b>		
	TITLE <b>STUD LINE POST</b>		
SIZE <b>B</b>	CAT / PART / ASSY NO. <b>SEE CHART</b>	DWG NO. <b>SADF19M27</b>	REV <b>B</b>
DO NOT SCALE THIS DRAWING	DRN BY TBT	DATE 6/5/19	SHEET 1 OF 1